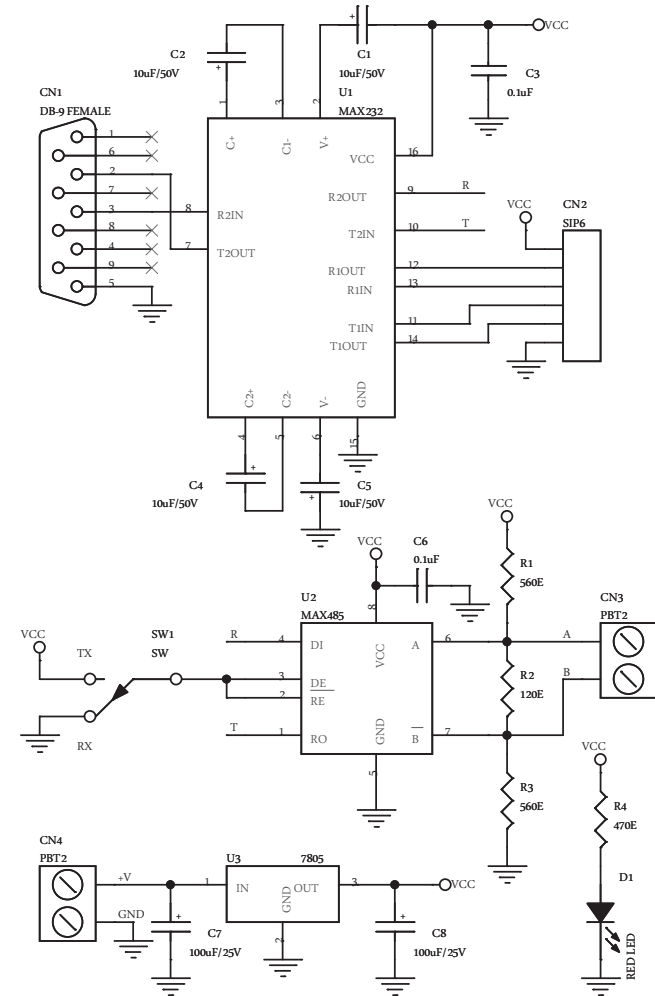
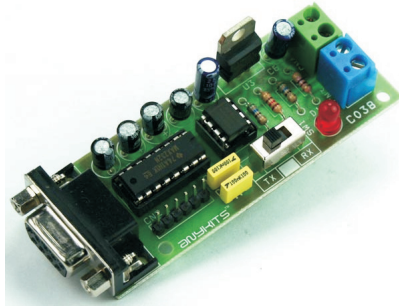


RS232 TO RS485 BOARD (R) C038

RS232 to RS485 Board (R) provides a seamless connection of the PC to an RS485 network.

- Simplex connection of this interface to the RS485 network
- Easy way of switching the modes between Receiver and Transmitter
- 5 V regulated supply provision on board
- 9 V regulated supply provision on board
- 9-pin, PCB mounted, Female type D-connector available
- Supply can also be provided by the host interface via relimate connector carrying data
- Four mounting holes 3.2 mm each
- PCB dimensions 82 mm x 33 mm



SR.	QTY.	REF.	DESCRIPTION
1	1	CN1	9 PIN D CONNECTOR - FEMALE
2	1	CN2	6 PIN BERG CONNECTOR
3	2	CN3,CN4	2 PIN SCREW TERMINAL CONNECTOR
4	4	C1,C2,C4,C5	10uF/50V OR 63V
5	2	C3,C6	0.1uF
6	2	C7,C8	100uF/25V
7	1	D1	RED LED
8	2	R1,R3	560E
9	1	R2	120E
10	1	R4	470E
11	1	SW1	SLIDE SWITCH
12	1	U1	MAX232
13	1	U2	MAX485
14	1	U3	7805
15	1	SOCKET	16 PIN DIP IC SOCKET
16	1	SOCKET	8 PIN DIP IC SOCKET

