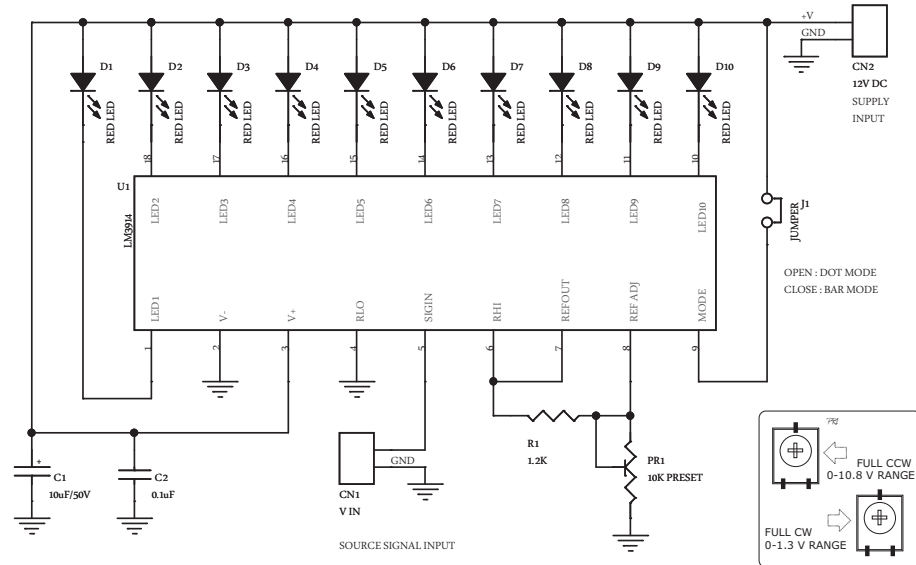
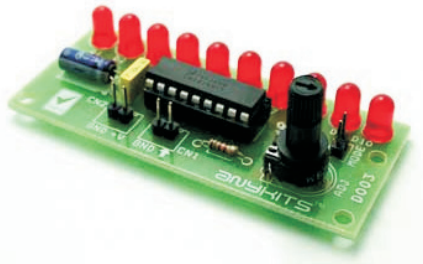


VARIABLE RANGE LED VOLTMETER *D003*

Variable Range LED Voltmeter kit is a simple and cheap way of visually displaying voltage of a given source with the help of 10 LED's. This kit is based on the famous LM3914 IC from National Semiconductor.

- Input : 12 VDC @ 190 mA
- Range : 0 - 1.3 V and 0 - 10.8 V adjustable with onboard preset
- Output : 10 LED's
- 2 Types of display Bar and Dot selectable by a jumper
- Very low current consumption, typical 100 mA
- Berg pins for connecting power and voltage in
- Four mounting holes of 3.2 mm each
- PCB dimensions 32 mm x 74 mm



SR.	QTY.	REF.	DESCRIPTION
1	1	CN1	2 PIN BERG CONNECTOR
2	1	CN2	2 PIN BERG CONNECTOR
3	1	C1	10uF/50V OR 63V
4	1	C2	0.1uF
5	10	D1 TO D10	RED LED
6	1	J1	2 PIN JUMPER WITH CLOSER
7	1	PR1	10K PRESET
8	1	R1	1.2K
9	1	U1	LM3914
10	1	SOCKET	18 PIN DIP IC SOCKET

