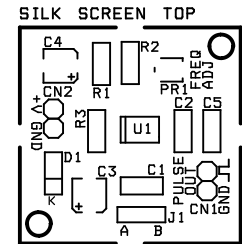
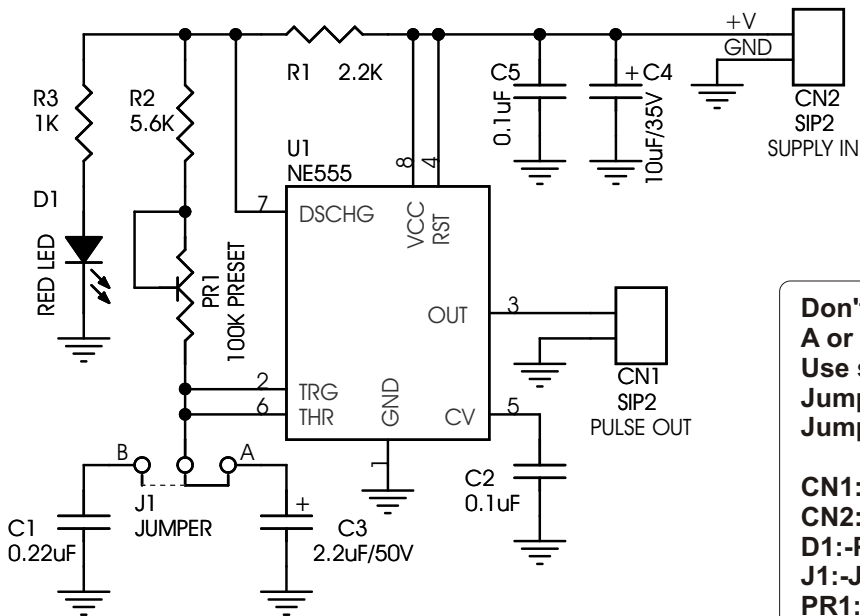


555 STEPPER PULSE GENERATOR

The 555 Stepper Pulse Generator kit will help you with the pulse required to drive your favorite stepper Motor driver. This kit uses the populer 555 timer IC for generating the Stepping Pulse. it has two range low frequency and high frequency.

- Input : 5 to 12 VDC @ 25 mA
- TTL/CMOS interface
- Jumper selectable two speed operation
- Onboard preset to adjust frequency
- Power-On LED indicator
- Berg connector for easy interfacing of the kit
- Other frequency range can be achieve by changing capacitor C1
(Use C1= 0.1uF or 0.01uF for higher frequency)



Don't forget to connect jumper A or B for desired frequency range
Use solder wire to connect this.
Jumper A 1Hz to 40Hz
Jumper B 25Hz to 345Hz

CN1:-Pulse Out
CN2:-DC supply input 5V-12V
D1:-Power indicator
J1:-Jumper for frequency range selection
PR1:-Preset for Frequency Adjust

SR.	QTY.	REFERENCE	DESCRIPTION
1	2	CN1,CN2	2 PIN BERG CONNECTOR
2	1	C1	0.22uF
3	2	C2,C5	0.1uF
4	1	C3	2.2uF/50V
5	1	C4	10uF/35V OR 16V
6	1	D1	RED LED
7	1	J1	JUMPER - OPTIONAL
8	1	PR1	100K PRESET
9	1	R1	2.2K
10	1	R2	5.6K
11	1	R3	1K
12	1	U1	NE555